

Remote Control Motorized TV Wall Mount

LEARN MODE instructions as shown below:

STEP1: Press and hold for 5 seconds until LED light on the matched remote control stays on, and then press . The buzzer will sound once, the red LED light on the IR receiver will stay on, then the **LEARN MODE** will be entered.

STEP2: If **LEARN** , please press on the matched remote control until the buzzer sounds twice, the red LED light on the IR receiver will change from being steady to a slow flash.

STEP3: Aim the TV remote at the IR receiver, and press the button on the TV remote that you need to set as the function of button until the buzzer sounds three times. the red LED light on the IR receiver will change from slow flash to a fast flash.

STEP4: Press button on the matched remote control until the buzzer sounds four times. The red LED light on the IR receiver will turn off. button will be **LEARNED** successfully. If the buzzer only sounds once, then a **LEARN** failure.(The TV remote won't support the **LEARNING** function).

(Please follow step1 through step4 in turn if the user need to **LEARN** more buttons)

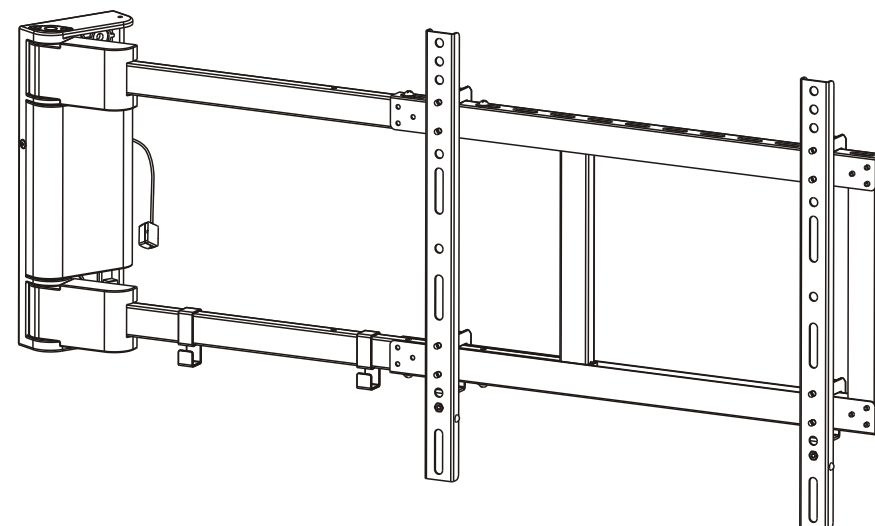
Learn "Power" button on the TV remote:

Press and hold for 5 seconds until LED light on the matched remote control stays on , and then press . The buzzer will sound once, the red LED light on the IR receiver will stay on, then press and hold button on the matched remote control until the buzzer sounds twice, then release the button. The red LED light on the IR receiver will change from being steady to a slow flash. Aim the TV remote at the IR receiver, and press "Power" button. The buzzer will sound three times. The red LED light on the IR receiver will change from slow flash to a fast flash. Press button on the matched remote control until the buzzer sounds four times. The red LED light on the IR receiver will turn off. "Power" button will be **LEARNED** successfully. If press "power" button, the TV wall mount will automatically reset.

Note: When there is no activity for over 20 seconds in any step .TV remote will automatically exit from the **LEARN MODE**.

Maintenance

- Check that the bracket is secure and safe to use at regular intervals(at least every three months).
- Please contact your distributor if you have any questions.



CAUTION: DO NOT EXCEED RATED LISTED WEIGHT. SERIOUS INJURY OR PROPERTY DAMAGE MAY OCCUR!

mySwing M04



200x200
300x300
400x200
400x400



60"
MAX



40kg
(88lbs)
RATED

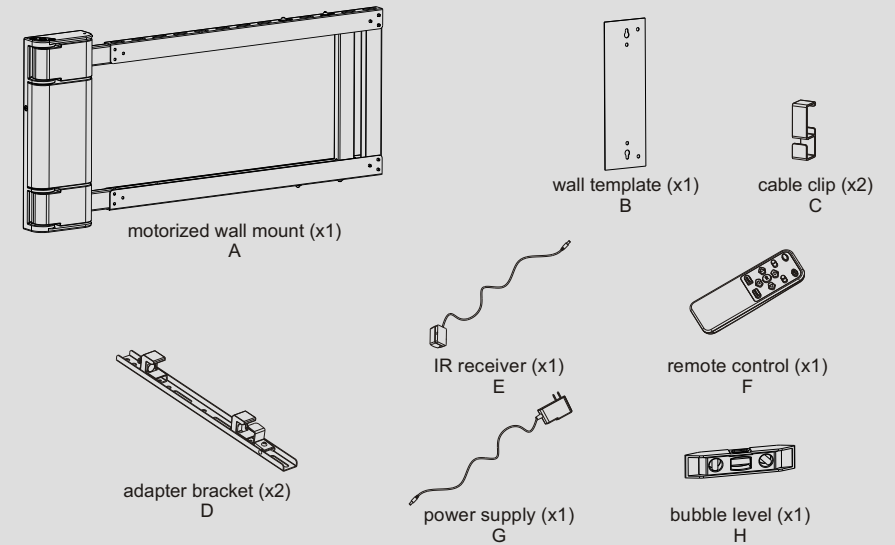
NOTE: Read the entire instruction manual before you start installation and assembly.

WARNING

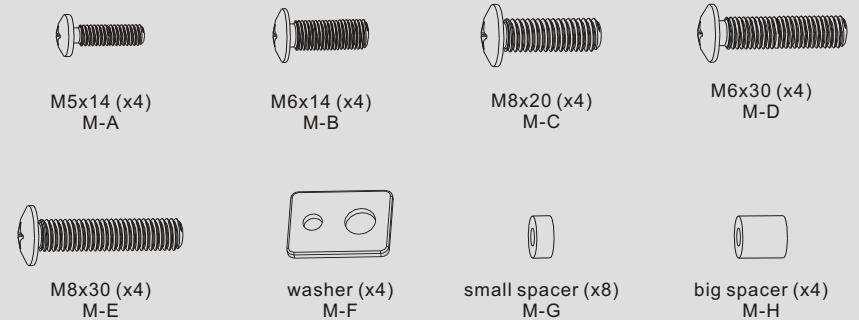
- Do not begin the installation until you have read and understood all the instructions and warnings contained in this installation sheet. If you have any questions regarding any of the instructions or warnings, please contact your local distributor.
- This mounting bracket was designed to be installed and utilised ONLY as specified in this manual. Improper installation of this product may cause damage or serious injury.
- This product should only be installed by someone with good mechanical ability who has basic building experience and fully understands this manual.
- Make sure that the supporting surface will safely support the combined weight of the equipment and all attached hardware and components.
- If mounting to wood wall studs, make sure that mounting screws are anchored into the center of the studs. The use of a stud finder is highly recommended.
- Always use an assistant or mechanical lifting equipment to safely lift and position the equipment.
- Tighten screws firmly, but do not over tighten. Over tightening can cause damage to the items, This greatly reduces their holding power.
- This product is intended for indoor use only. Using this product outdoors could lead to product failure and personal injury.
- Please do not disassemble or change the electronic components of the product without authorization.

Component Checklist

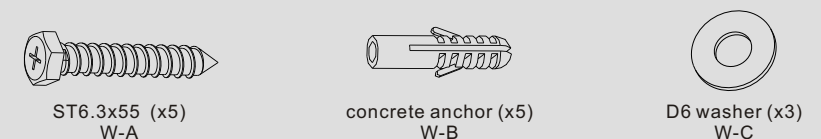
IMPORTANT: Ensure that you have received all parts according to the component checklist prior to installation. If any parts are missing or faulty, telephone your local distributor for a replacement.



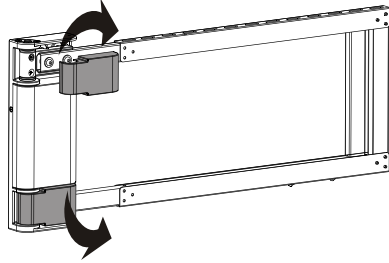
Package M



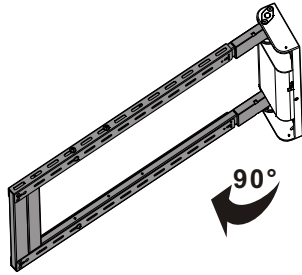
Package W



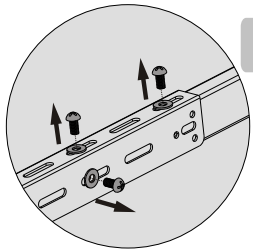
1. Separating the Decorative Covers from the Wall Mount



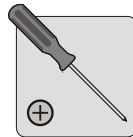
2. Opening Hard the Swing Arm



3. Position the Swing Arm



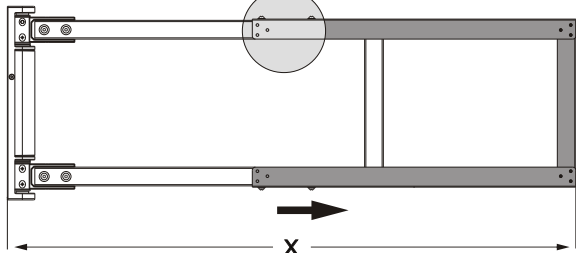
Remove the screws and washers using the proper phillips screwdriver.



The swing arm needs to be adjusted according to the size of TV.

$$X = L/2 + 260(\text{mm})$$

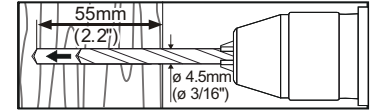
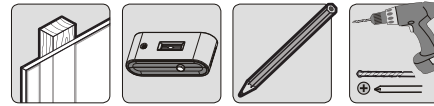
L: The length of TV



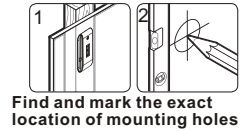
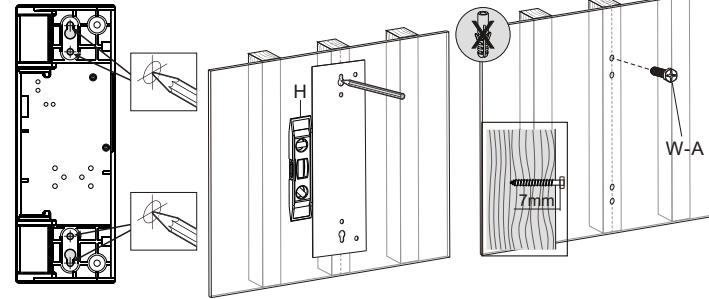
$$X = TV(L)/2 + 260\text{mm}$$

Reinstalling the screws and washers to secure the swing arm after finishing the adjustment.

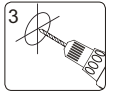
4a. For Wood Stud Wall Mounting



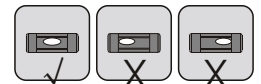
Forward installation



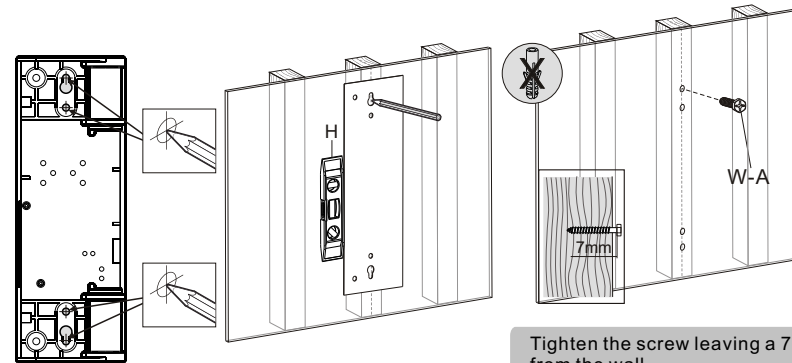
Find and mark the exact location of mounting holes



Drill pilot holes



Reverse installation

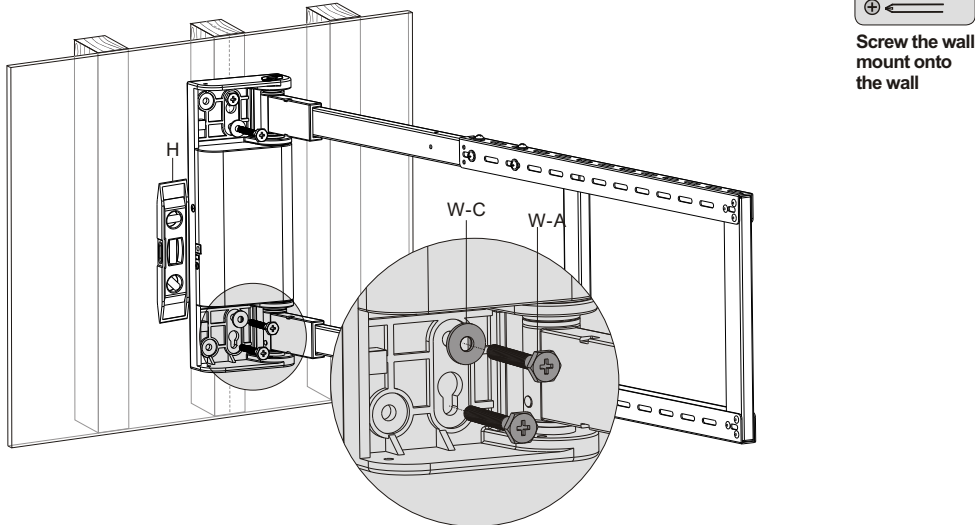
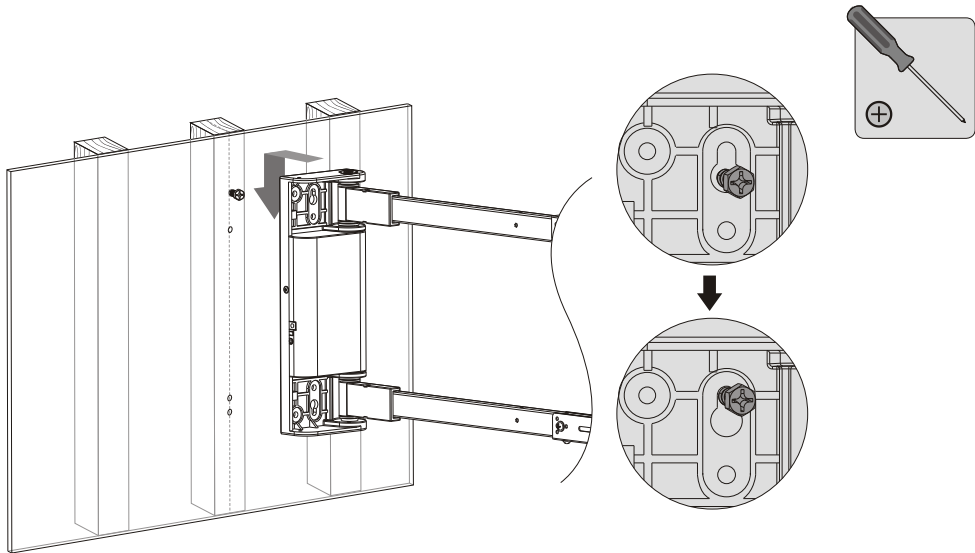


Tighten the screw leaving a 7mm space from the wall.

! WARNING

- Make sure that mounting screws are anchored into the center of the studs. The use of a stud finder is highly recommended.
- Installers are responsible to provide hardware for other types of mounting situations.
- Installers must verify that the supporting surface will safely support the combined weight of the equipment and all attached hardware and components.

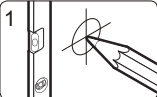
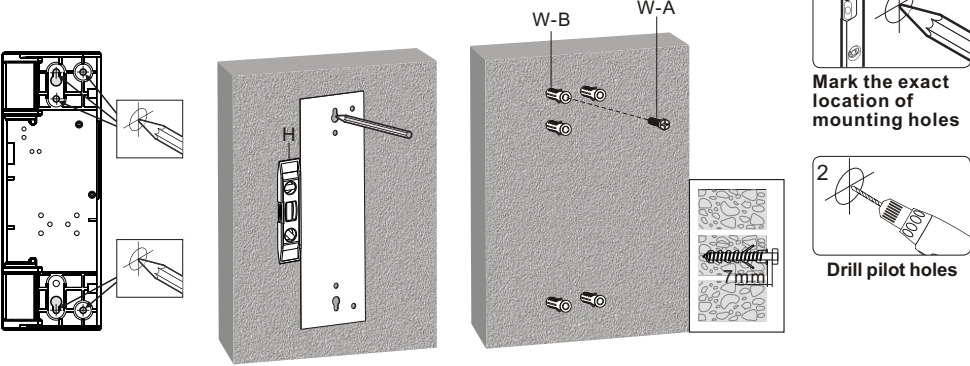
4a. For Solid Brick and Concrete Mounting



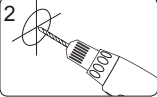
4b. For Solid Brick and Concrete Mounting



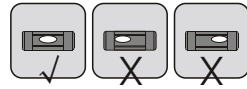
Forward installation



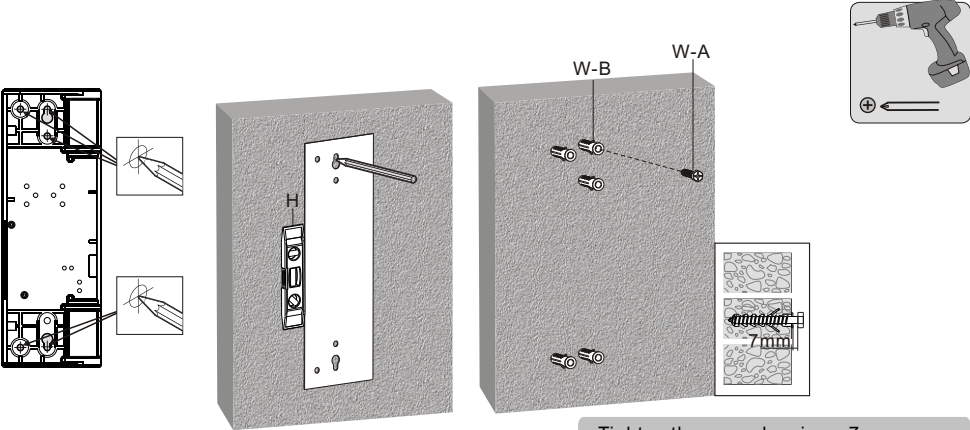
1
Mark the exact location of mounting holes



2
Drill pilot holes



Reverse installation

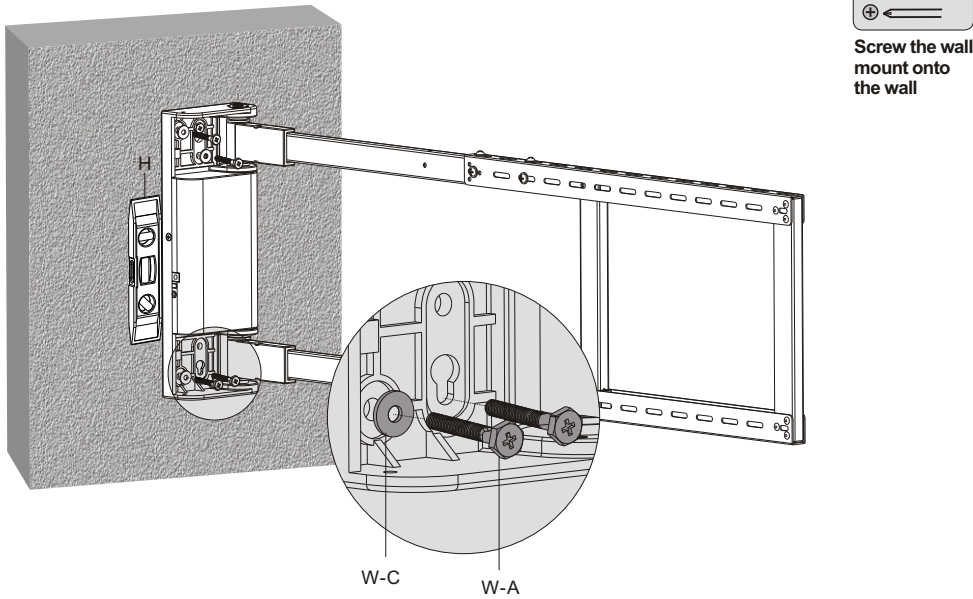
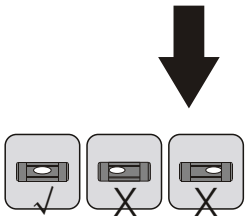
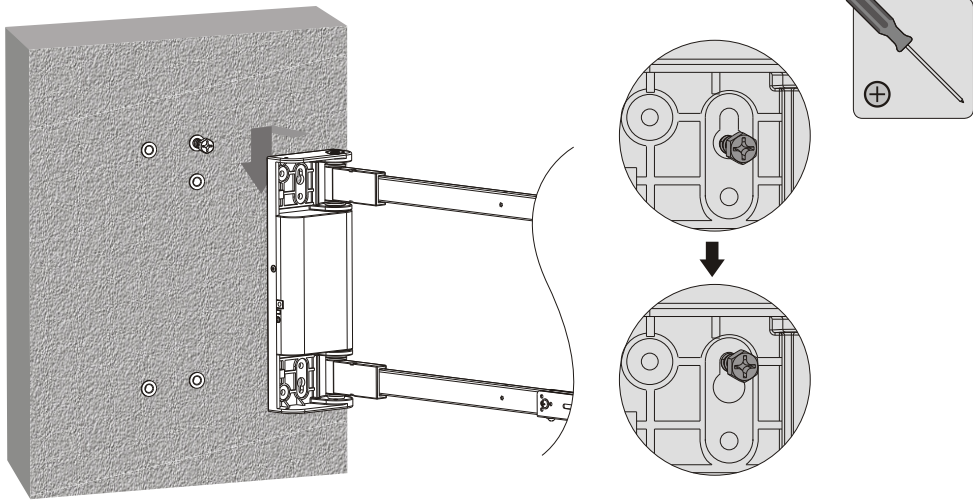


Tighten the screw leaving a 7mm space from the wall.

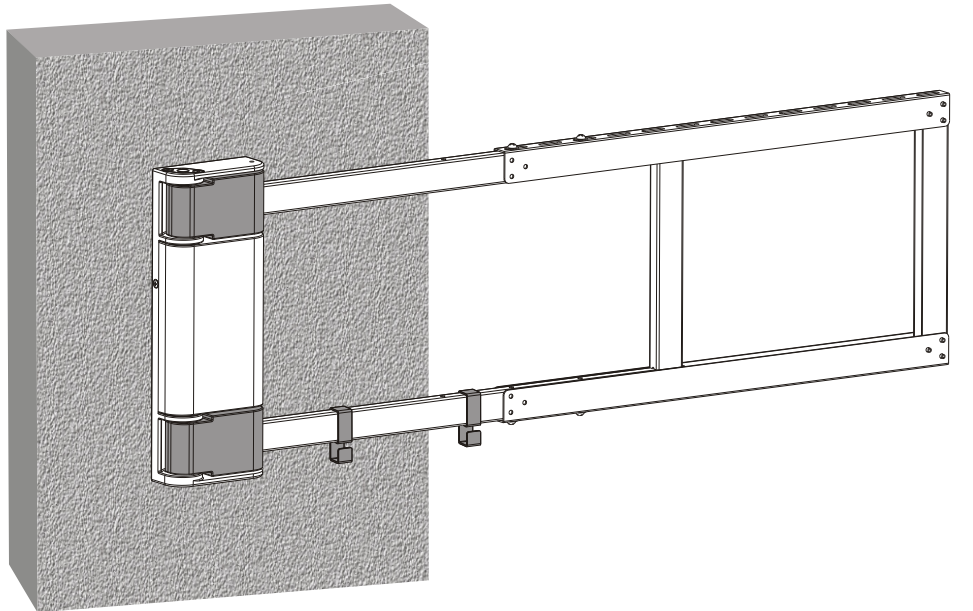
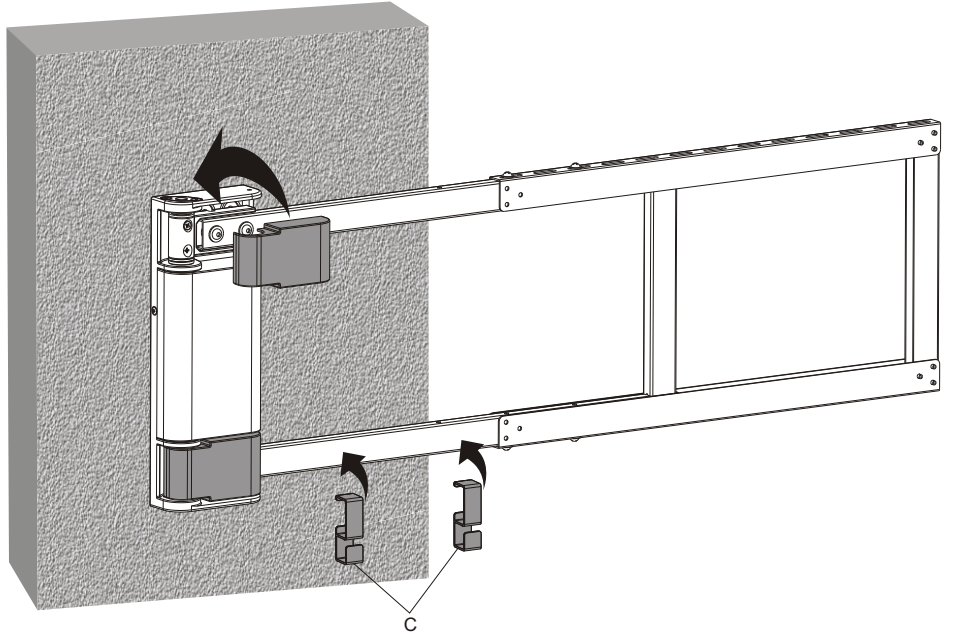
! WARNING

Installers must verify that the supporting surface will safely support the combined weight of the equipment and all attached hardware and components.

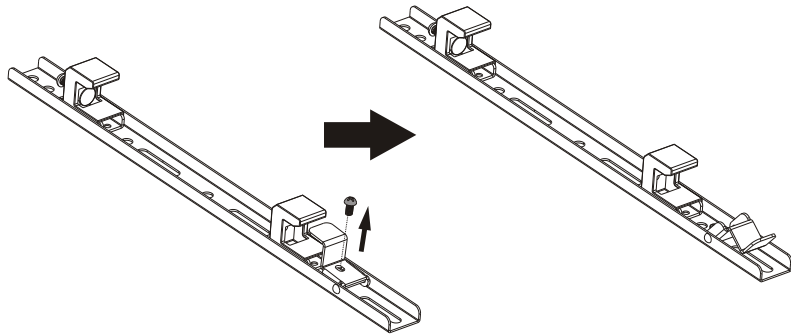
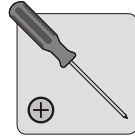
5. Installing the Decorative Covers and the Cable Clips



5. Installing the Decorative Covers and the Cable Clips

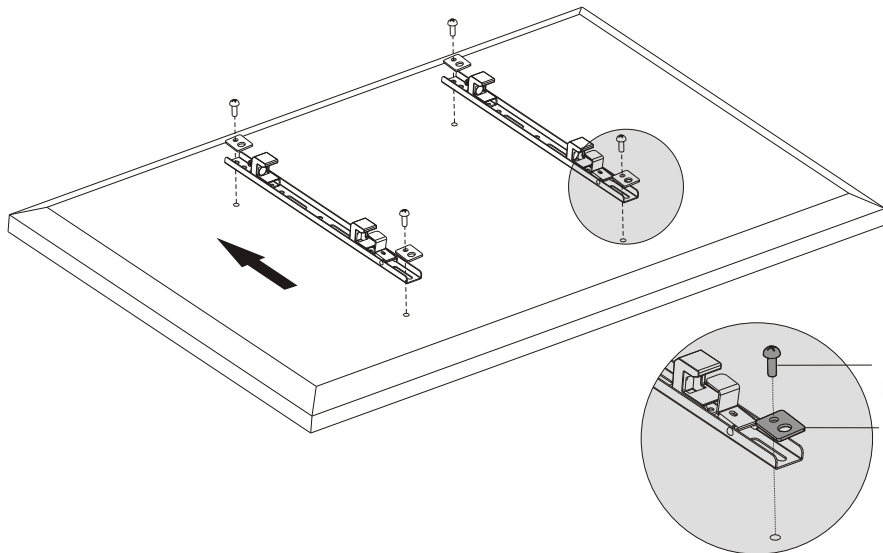


6. Installing the Adapter Brackets

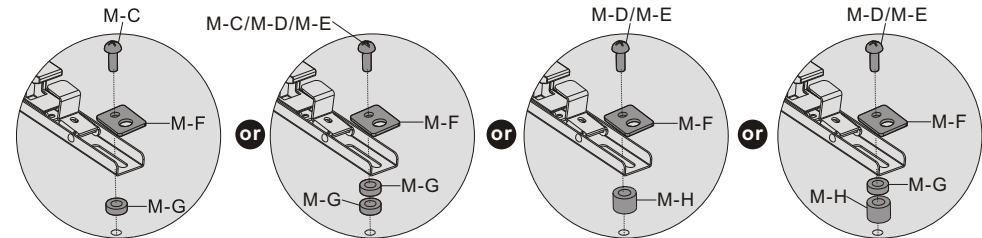
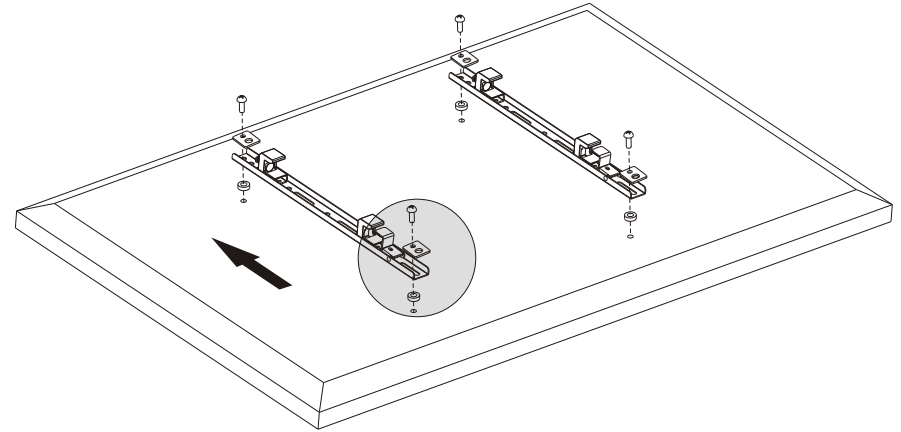
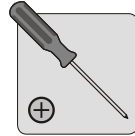
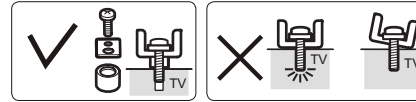


Remove the screws on the adapter brackets and keep the screws for later use.

6-1 For Flat Back Screens



6-2 For Recessed Back Screens or to Access A/V Inputs

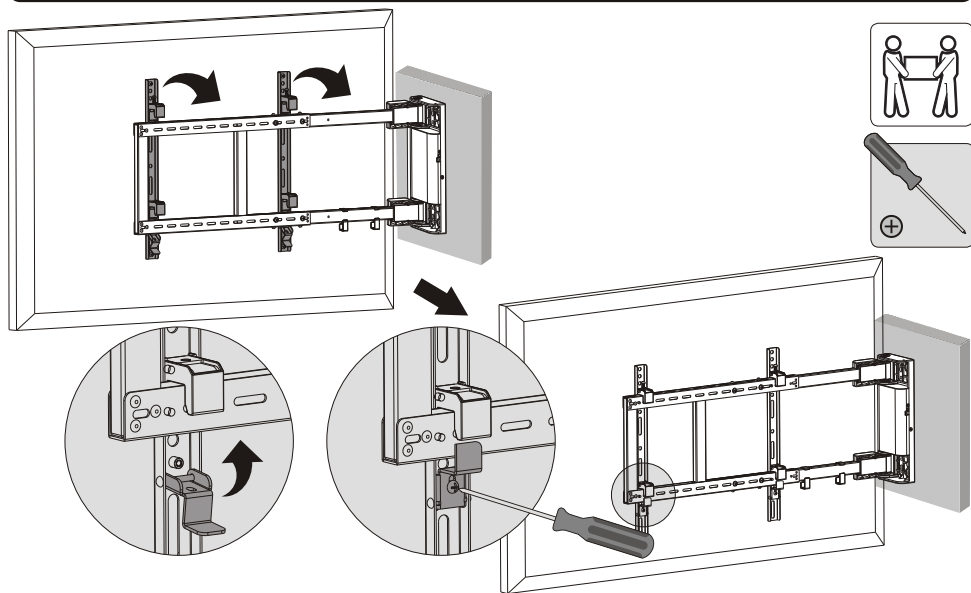


Note: Choose the appropriate screws, washers and spacers (if necessary) according to the type of screen.

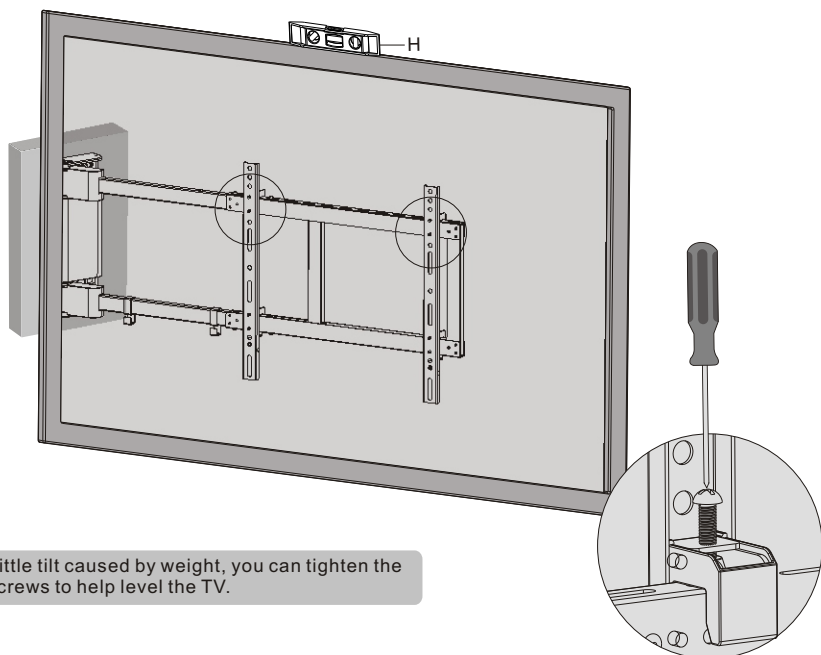
- Screw the adapter brackets onto the TV.
- Position the adapter brackets as close as possible to the middle of the screen.

⚠ Tighten all screws but do not over tighten.

7. Hooking the TV onto the Wall Mount

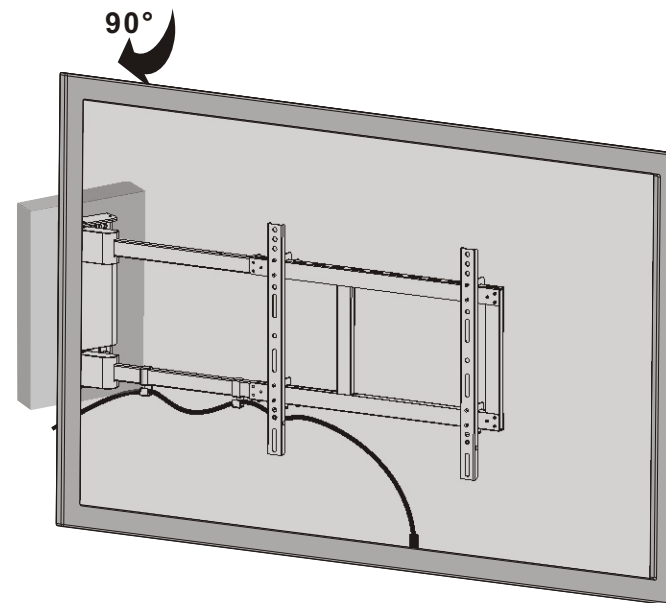


Hook the TV over the swing arm.
Reinstall the bottom screws to secure the adapter brackets to the swing arm.
Important: Make sure the TV is correctly hooked before releasing the TV.

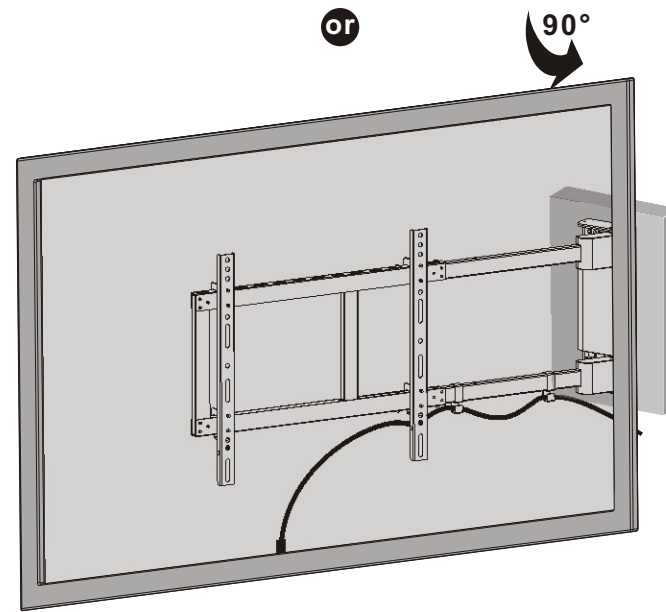


To avoid the little tilt caused by weight, you can tighten the adjustment screws to help level the TV.

8. Cable Management

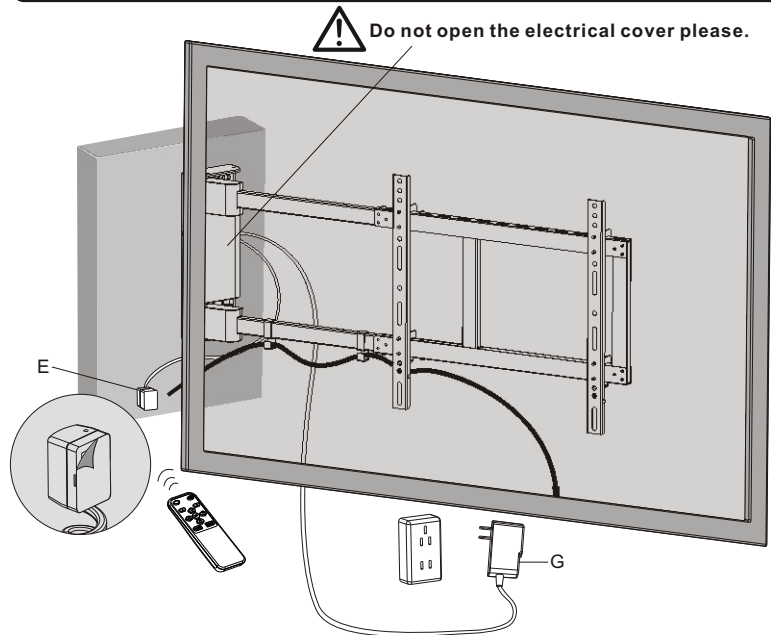


or



Connect the cables to your TV and route through the cable clips.
Note: Leave slack in the cables for arm movement.

9. Placing the IR Receiver

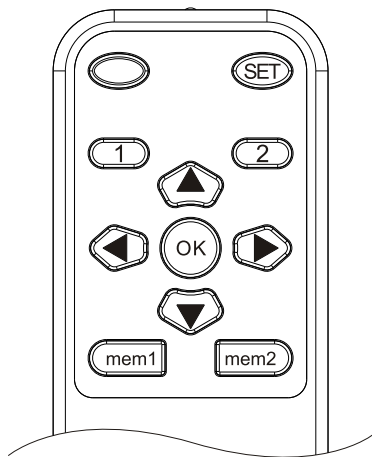


! Do not plug into the power outlet until it is ready to be operated.

Peel the backing paper. Place the IR receiver into desired position.
Make sure nothing will obstruct the transmission from where the TV will be viewed.

10. The Remote Control Operating Instructions

remote control



Remote control operation instructions

STEP 1: When powered, the buzzer sounds once beep, TV wall mount will be in standby state.

STEP 2: Forward and reverse installation choices (**NOTE 1:** There are forward and reverse installations for the TV wall mount. Swinging the TV wall mount to right against the wall that defaults to the forward installation. **If it is the forward installation, the STEP 2 is not required;** If it is the reverse installation, Press and hold for 5 seconds until the buzzer sounds twice beep beep, Remote control is now successfully set. **NOTE 2:** The TV wall mount provides 0° (be parallel to wall) and 90° of lateral rotation (be perpendicular to wall). TV wall mount has been set before they go out (**Please don't set it without special requirement**). If you want to reset the swing angle to 0° and 90°. Press and hold for 5 seconds and repeat four times. The system will start automatic positioning: First positioning TV wall mount with flat against the wall, then positioning TV wall mount with 90° of lateral rotation until the TV

wall mount automatically stop at 90° position.)

STEP 3: Press and release to return the TV wall mount flat against the wall and hear one beep from the buzzer, the system will then enter a working condition.

Buttons function instructions

Follow the Key function instructions below to operate.

- Stop button
- The left button. Press and release , the TV wall mount will swivel to the left until is pressed or the TV wall mount swing to 90 degrees to stop.
- The right button. Press and release , the TV wall mount will swivel to the right until is pressed or the TV wall mount swing to 0 degrees to stop.
- Memory button1. Press and hold for 5 seconds, the buzzer will sound twice beep beep, LED light will turn on for 1second, The memory is saved as location 1.
- Memory button2. Press and hold for 5 seconds, the buzzer will sound twice beep beep, LED light turn on for 1second, The memory is saved as location 2.
- + To recall the button(location 1). Press and release button, and then press button, The TV wall mount will automatically swivel to the location1 after the buzzer sounds once.
- + To recall the button(location 2). Press and release button, and then press button, The TV wall mount will automatically swivel to the location2 after the buzzer sounds once.
- Forward and reverse installation choices button (Pressing the button is invalid once in the working condition).
- + Learning button, Please read the instructions below for more info.

LEARN MODE operation instructions

The loss of matched remote control would result in TV wall mount being unusable. The **LEARN MODE** is used to learn how to use TV remote (ONLY suitable for the TV remote of popular brands.) to control TV wall mount.

Note:

- TV remote can't replace the all functions of matched remote control. Only **LEARNING** the three buttons functions. With , and respectively.
- The user must follow the rules below when using the TV remote to control TV wall mount.
Select the alternate buttons from the TV remote, and the button that can't direct control the TV.
- If you need to erase all the button functions LEARNED, press and hold for 4 seconds and repeat five times.
If you don't erase them, the new button functions LEARNED every time will overwrite the last button functions LEARNED.