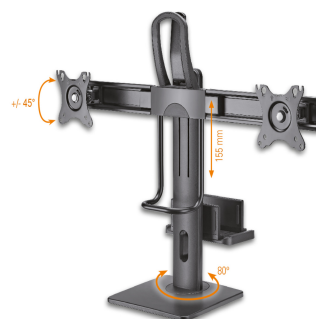
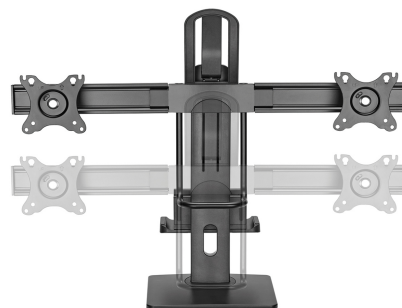


## MonLines MTS002B

### Table stand for 2 monitors, height adjustable up to 27



## Description

The MTS002B desk table stand for 2 monitors with integrated storage compartment for small devices impresses with its functionality and practicality. With the stable stand, the monitor mount carries almost any type of screen with a diagonal of up to 27 inches, which is often exposed to touch and must remain stable. The table stand from MonLines can be tilted and adjusted in height and is ideal for e.g. control monitors, cash register systems, POS, keyboard text displays or monitors.

## Key features

Fastening:	Screen mount with stand
Display size:	17 to 27 inches (43 - 69 cm)
VESA standard:	75x75 and 100x100 mm
Load capacity:	Max. 6 kg per Monitor
Column rotatable:	80°
rotatable:	360°
High adjustable:	155 mm
Colour:	Black