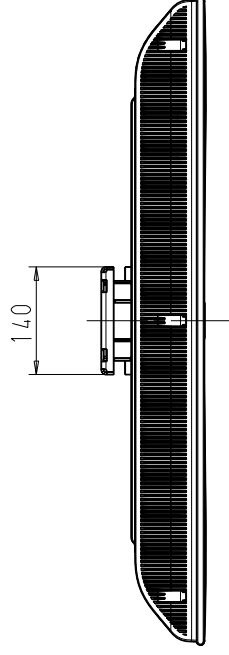
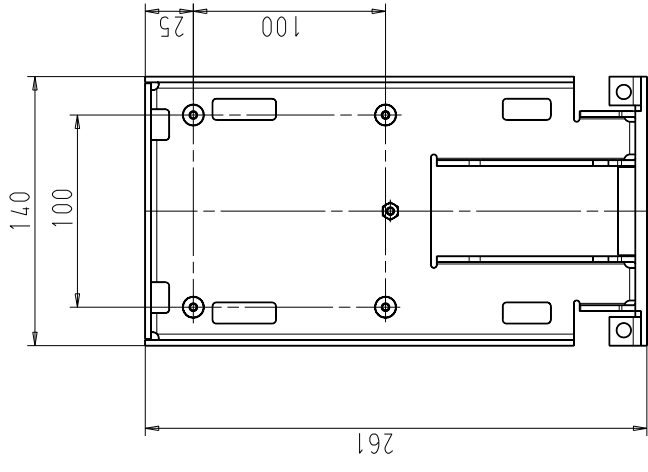


Adapter fuer Vesa-Wandhalter



Eventuelle Massabweichungen (max. 1%), die bei der Produktion oder der Montage entstehen, sind in diesem Dokument nicht berücksichtigt.

LOEWE Loewe Opto GmbH Industriestr. 11 96317 Kronach		Name/name WAGNER		Top/date 10.08.06		Index (Anzahl) • index /quantity		Änderung • change		AEM.-Nr. • change no		Do turn • die		Bearbeitet approved • checked	
Bearb./designed 10.08.06				Name/number WAGNER				Wir tragen keine Verantwortung fuer die Fertigung. Rechte vorbehalten. Alle Rechte vorbehalten. We are not responsible for the production. All rights reserved. All rights reserved.							
Gepr./checked 10.08.06				Name/number WAGNER				We are not responsible for the production. All rights reserved. All rights reserved.							
Normen/norm ISO 9001				Name/number WAGNER				We are not responsible for the production. All rights reserved. All rights reserved.							
Massstab/scale 1:1				Name/number WAGNER				We are not responsible for the production. All rights reserved. All rights reserved.							
Fertigungsart/production Stanz				Name/number WAGNER				We are not responsible for the production. All rights reserved. All rights reserved.							
Werkzeuge/instru- ment list ---				Name/number WAGNER				We are not responsible for the production. All rights reserved. All rights reserved.							
Blatt- sheet 1				Name/number WAGNER				We are not responsible for the production. All rights reserved. All rights reserved.							
Berechnung/drawing name XELOS_32_VESA_LCD				Name/number WAGNER				We are not responsible for the production. All rights reserved. All rights reserved.							
Zeichnungs-Nr./drawing no. E5000160				Name/number WAGNER				We are not responsible for the production. All rights reserved. All rights reserved.							
Ersatz fuer Zeichn./ spare for drawing ---				Name/number WAGNER				We are not responsible for the production. All rights reserved. All rights reserved.							